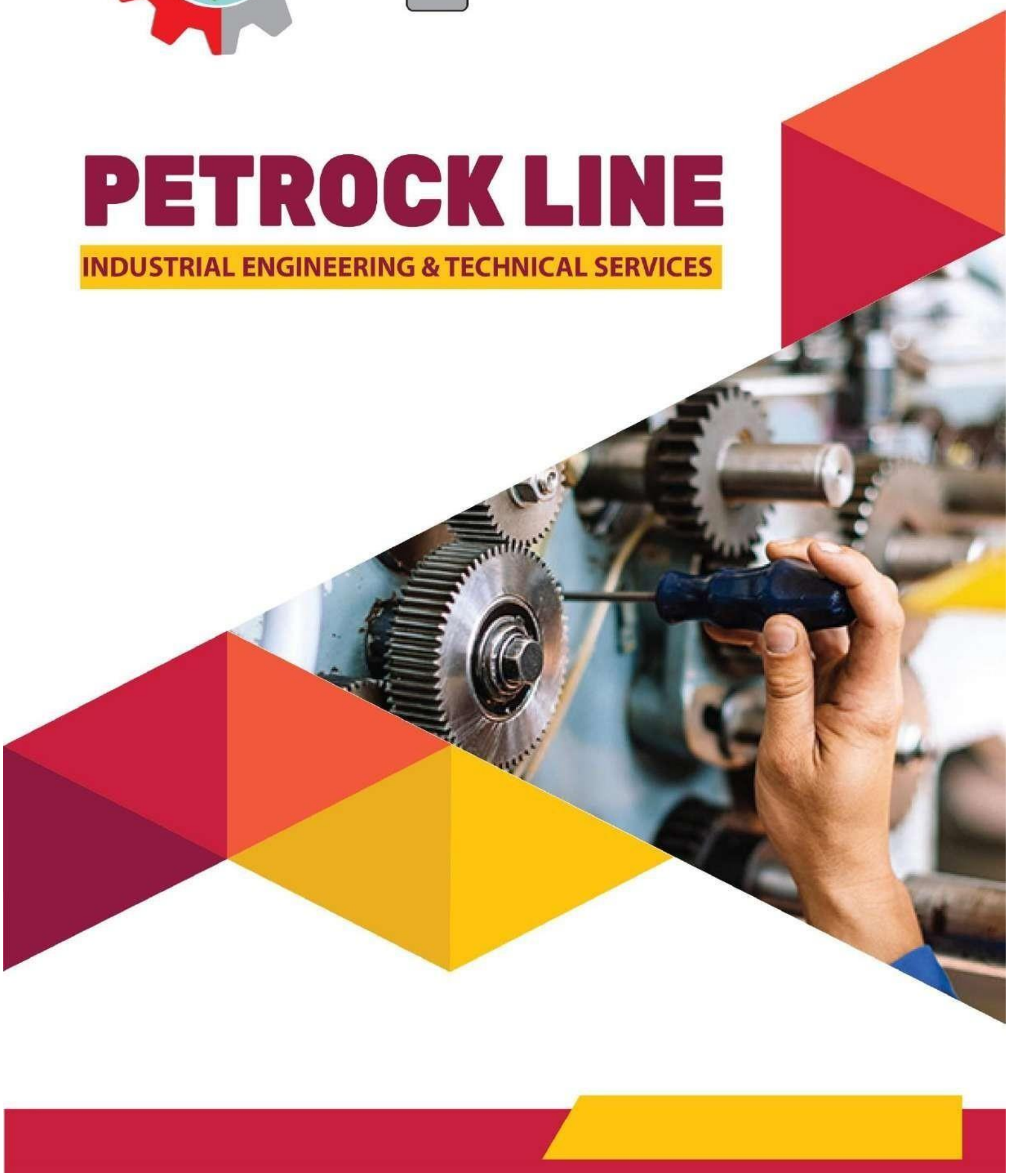




# PETROCK LINE

INDUSTRIAL ENGINEERING & TECHNICAL SERVICES



## About Us

Petrock Line is one of the successful companies that have already been established in diversified areas of business in India, GCC & Africa and offers a complete range of end-to-end solutions.

At Petrock Line, our philosophy is to provide/solve our client's business requirements with Industrial Engineering, Technical Support Services, Online Leak Sealing, & Technical Manpower Solutions they need, where they need them, and when they need it. At the same time, we make sure that the products and services we deliver are of superior quality and value to our customers.

## Vision

Petrock Line has the vision to become a widely recognized and esteemed service provider in the area of Engineering and Industrial Services and Professional Support to the Oil and Gas, Energy, Petrochemical, and Steel Industries. Petrock Line not only wishes to remain up-to-date with current technological innovations and industry trends in business solutions but also exceed this trend by practicing a customer/client-friendly approach and service ethics in all our business dealings to gain the utmost trust of our customers.

## Mission

Our mission is to build on the foundation we have set up as reliable business solutions providers and improve the target drastically by exceeding the expectation of our clients and remaining a leading service provider of choice in business solutions and professional Support.

## Corporate Activism

Petrock Line also tries to lend its support, expertise, and know-how to disaster-stricken areas in order to provide emergency relief and handle logistical support for donations.

## Why Petrock Line

Petrock Line has become a specialized discipline to provide engineering solutions providers with its width and depth of experience, and a highly evolved staffing technology would be strategically best placed to offer you top-notch solutions. We have re-engineered the entire assignment process to shift seamlessly between a corporate focus and a personal focus, aligning with the goals of our clients and candidates.

## Services

Petrock Line is focused exclusively on projects and our services are tailored to meet the needs of individual engineering, contractors, and end users. Petrock Line, work to the relevant standards and design criteria for each project while adapting our services to meet particular constraints such as minimum local content. Our goal is to make the procurement process simpler and more efficient for our clients by being the single source provider throughout the entire project.

- Industrial Engineering & Technical Support Services  
( Oil & Gas and Petrochemical Industries )
- Online Leak Sealing Services
- Online Valve Sealing Services
- Pneumatic Cold Cutting & Beveling

## Health, Safety and Environment Policy

Safety is an absolute priority at all workplaces. This is made clear in our Corporate Health and Safety Policy.

Petrock Line recognizes that it has a responsibility to ensure the safety and well-being of all who interact with the company, whether as a direct employee, sub-contractor, consultant, or member of the public.

Health and safety are an integral part of Petrock Line, Management System, with safe working practices and procedures ensuring that health and safety are fully considered in all aspects of our operations. Petrock Line, also actively promotes a safe work culture by educating employees about their individual responsibilities for health and safety.

Petrock Line is aim to achieve best-practice environmental management in all of our activities. As with Safety, Petrock Line, strives to make responsible environmental management part of the everyday culture for all.

Petrock Line has a health and safety programmer in order to eliminate accidents at job sites. This program is implemented by arranging safety awareness meetings weekly and monthly.



## Quality Assurance

Petrock Line believes people are the most important asset of an organization. Thus, we are committed to providing this asset to our clients as per their requirements. A team of dedicated and professional staff continuously works towards improving the effectiveness of the process within our organization to meet our client's expectations.

Petrock Line, Operations review team ensures that we establish, document, implement and maintain a scalable quality management system for managing effective, global business operations.

### Customer Focused

- + Satisfy our customers' needs and expectations.
- + Make commitments we fully understand and believe we can meet.

### Performance Driven

- + Monitor, and continuously improve our business, products and services, organization and employees' performance.
- + Sustain and develop business growth and Intellectual Property.
- + Continue technological innovation.
- + Maintain a winning atmosphere.

## Industrial Engineering & Technical Support Services

### (Oil & Gas and Petrochemical Industries)

Petrock Line Engineering & Industrial Services provides the most effective solutions for maximizing the efficiency and increasing productivity of Industries through its highly qualified team, advanced equipment, and professional approach to engineering, repair, and maintenance of plants/equipment. Petrock Line has a strong experienced operations and management team, engineers, and technical specialists.

## ONLINE LEAK SEALING

**Our Technology Partner:**



In the present industrial world, leak-sealing is the solution addressing a wide variety of leaks which saves energy and prevents an expensive and unwanted shutdown. With the combination of engineering solutions support from the global experts, we had leak-sealing compounds that can address a wide variety of steam, chemical, hydrocarbon and gas leaks at temperatures up to 700°

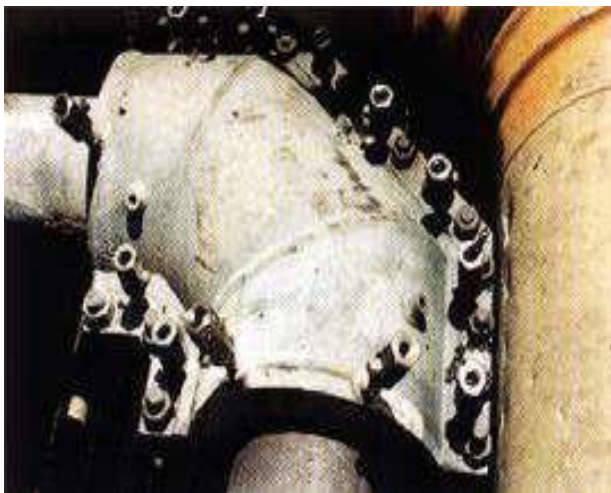
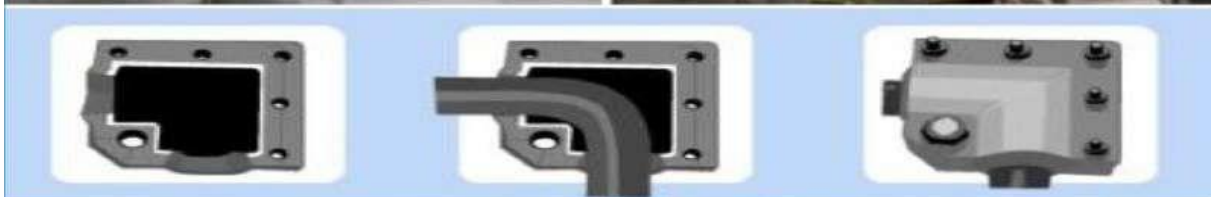
We have highly trained and skilled technicians who can handle the adverse situations tactically and bring back the situation to normal service conditions.

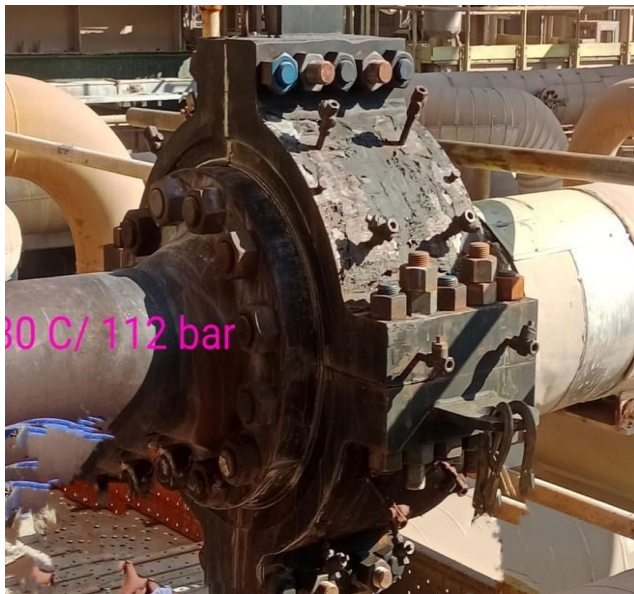


## Standard Leaks that can be sealed using our online process:

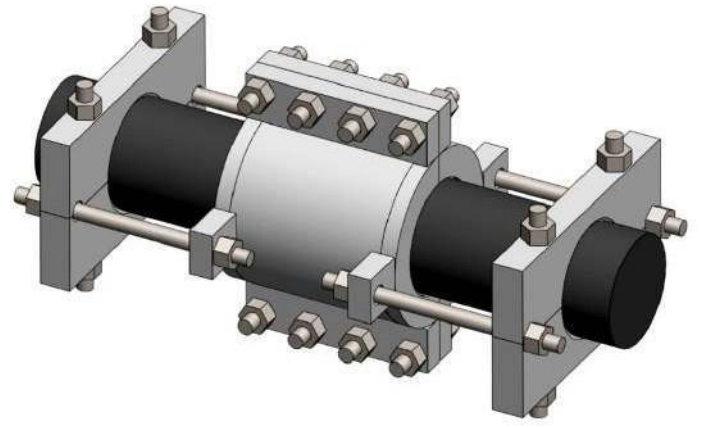
- Valve Gland Leak.
- Valve Bonnet Leak.
- Flanges with Narrow Gap (< 6mm) Leak.
- Flanges with Wide Gap (> 6mm) Leak
- Valve Body Leak.
- Straight Pipe Leak.
- 45° & 90° Elbow Leaks.
- Tee Joint Leak.
- Flange Weld Neck Leak.



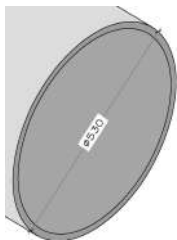
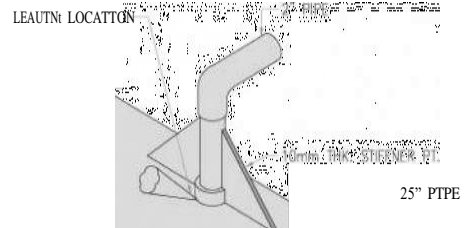




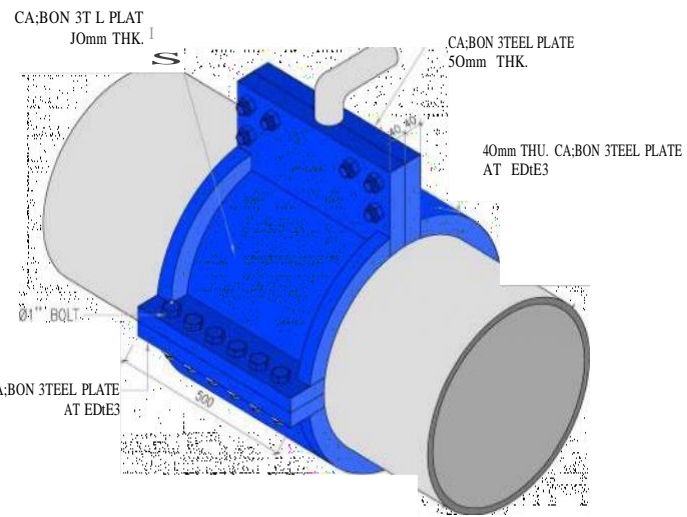




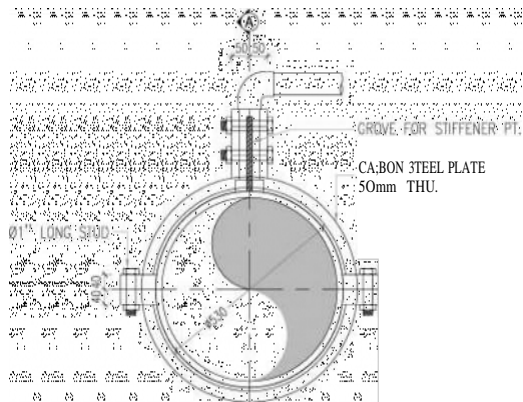
2 5 4 5 7 8 D 10



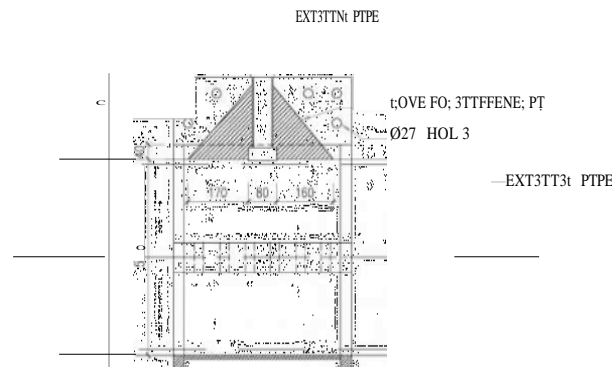
**EXISTING**



**ISO METRIC VIEW**



**LEAK SEALING  
CROSS SECTIONAL VIEW**



**SECTION-P**

- 1. All WEI D3 SHAI BE CRd dVE llnl3HED & CRInD llnl3HED
- 2. All SHARP EDGE3 Td BE RENDVED
- All DINEn331dn3 ARE In NN (THERWISE 3PEIIMED)

**KNARTOUM REFINERY CO LTD.**

**P3TROCT IF3**

G91 7558 1 58231  
G249 907 395 483

em&ll: gk@petrOIOckillLe.cOm

DRAWN		DRAWN TITLE	Leak seal +ng 4" LPG Pipe
GHIGNID		DRAWN DATE	15/02/2023
APPROVER		DRAWN TITLE	Sealing arrangement details PL-Lt-K C- Q1-1
DATE	15/02/2023	REV.	0
SCALE	2x	DRS. No.	7

2 5 4 5 7 8 D 10

# Cold Cutting

## (Pneumatic Cold Cutting & Beveling)

For cold cutting, beveling of welding preps and tapering of the inside diameter of piping and or components we use 'clamshells' ranging from 2 " to 86" diameter. The Clamshell is a series of machines with high versa utility for a variety of



## In-Line Under Pressure Valve Maintenance & Repair

### Emergency Valve Sealing

The technology used by us allows the technical team to perform the valve sealing while the valve is in-line and under pressure. Our experts will perform internal cleaning of the valve using world class products and seal the valve using emergency valve sealants depends on the parameters on the line medium/process. This sealant will act like a temporary seal and will stay as it is for and never goes hard or never make any harm to the valve. “Emergency Valve On-line Sealing” will save time & Money from unplanned plant shutdowns. Our well experienced workforce and commitment towards the projects made JM a trusted name in emergency valve sealing.

Our emergency sealants are environmentally friendly, can be easily flushed out from the valve and can be cycled after the downstream activities. Our emergency sealants are specially designed which create reliable seal that never goes hard and can be used for almost all types of lubricated valves.

Our emergency sealing services are as follows:

- Leakage across the seats
- Stem/gland leakage
- Trunnion/body flange leakage
- Injection fitting leakage
- Bonnet leakage

### VALVE MAINTENANCE

Valves are the most common mechanical device found at any plant, platform or pipeline operation and require routine maintenance to ensure they operate and seal properly every time. Well-maintained valves can potentially operate efficiently for the lifespan of the facility.

Some operators make the mistake of purchasing inexpensive valves from manufacturers that market their products as ‘maintenance-free’ or ‘non-lubricated’. Although these valves are designed and constructed well, there is a fatal flaw in this logic – every valve will eventually leak. It may take many

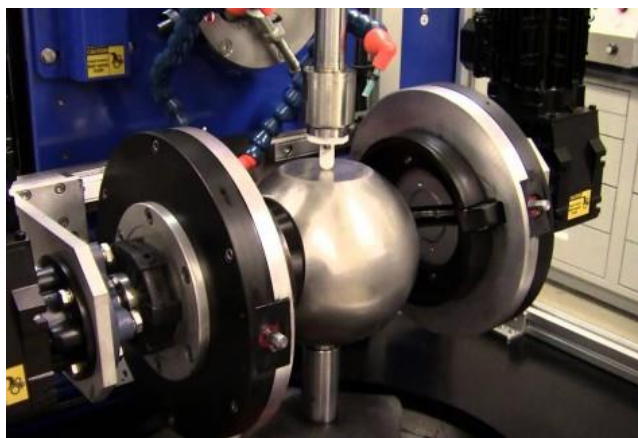
years of service but the slightest bit of contamination caught in a sealing area can cause damage to the soft surfaces on seat rings and stem seals. If there is no sealant system to inject through, the valve cannot be sealed.

Operators may also be misled by the maintenance lubricant manufacturers that claim their product is the best for certain applications. There is a good rule of thumb to use when purchasing lubricants and sealants – like engine oil, synthetic is best! Conventional lubricants sometimes utilize clay powders as a thickening agent that gets left behind when the carrier product has washed away. Depending on the operating conditions, this clay can harden into material as strong as concrete.

A small investment into a strong preventative maintenance program will ensure many years of trouble-free service which will save you a lot of lost production time and repair cost.

- Lubricated Ball, Plug & Gate Valves
- Actuator and Gearbox Maintenance
- Testing Seat Sealing Integrity
- Topping up the seat sealant system
- Inspecting for leakage to atmosphere, external corrosion
- Draining water from the body cavity, actuator hydraulic system
- Adjusting the stops and/or ball/gate position as needed

# Line break control re-verification and calibration



## Off-line Repair of Valves, Gear Boxes & Actuators

Valves that have been in service for a long time, or in extreme service conditions, must be serviced or refurbished regularly. Often times, it's possible to make these repairs and upgrades while the valve is in-line and under pressure. Actuator and gearbox repairs can sometimes be made without impacting production at all.

Repairing an expensive valve actuator always offers a cost saving over replacing the entire equipment. We at Valve Serve provide fast turnarounds on repairs to minimize downtime.

We will clean, inspect and test the equipment to determine the problem causing the malfunctioning. Defective component is replaced as well as component parts which are unreliable are identified and notified to the client for further extensive repair if needed.

We at Valve Serve visually inspect and identify the broken and burned component parts and perform dynamic testing to find all the problems that prevent the unit from working properly in order to ensure the repairs are complete and accurate.

Actuators and gearbox repairs can be made without affecting the production and when working with Valve Serve you are getting our years of experience and knowledge of Valve components. From full removal and instillation with bolting, torquing, weld repair, heat treatment, lapping and grinding of valve seats, you can be certain of our repair quality for valve controls and actuators.







## ADDRESS

### INDIA

Anaimalai Post Office  
Vepparai Road-3  
Coimbatore- 642104  
Tamil Nadu, India  
Tel: +91 755 815 8231

### BAHRAIN

Office A650, Road 608,  
Block 606, Sitra, Kharijiyah  
Kingdom of Bahrain  
Tel: +973 3517 3110  
Tel: +973 3507 9354



[www.petrockline.com](http://www.petrockline.com)



[info@petrockline.com](mailto:info@petrockline.com)

[petrockline91@gmail.com](mailto:petrockline91@gmail.com)



+91 755 815 8231



# PETROCK LINE

INDUSTRIAL ENGINEERING & TECHNICAL SERVICES